

F

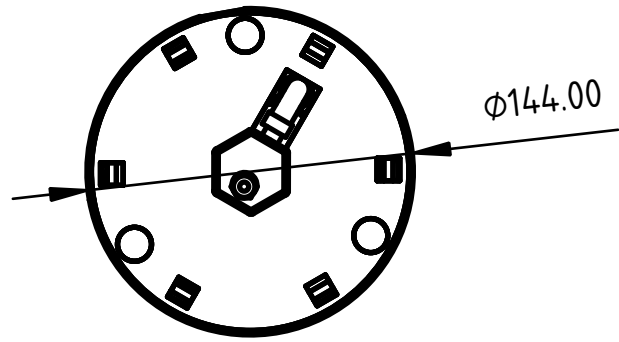
E

D

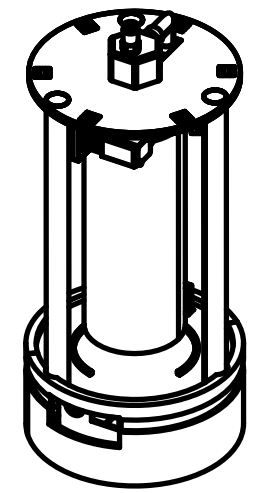
C

B

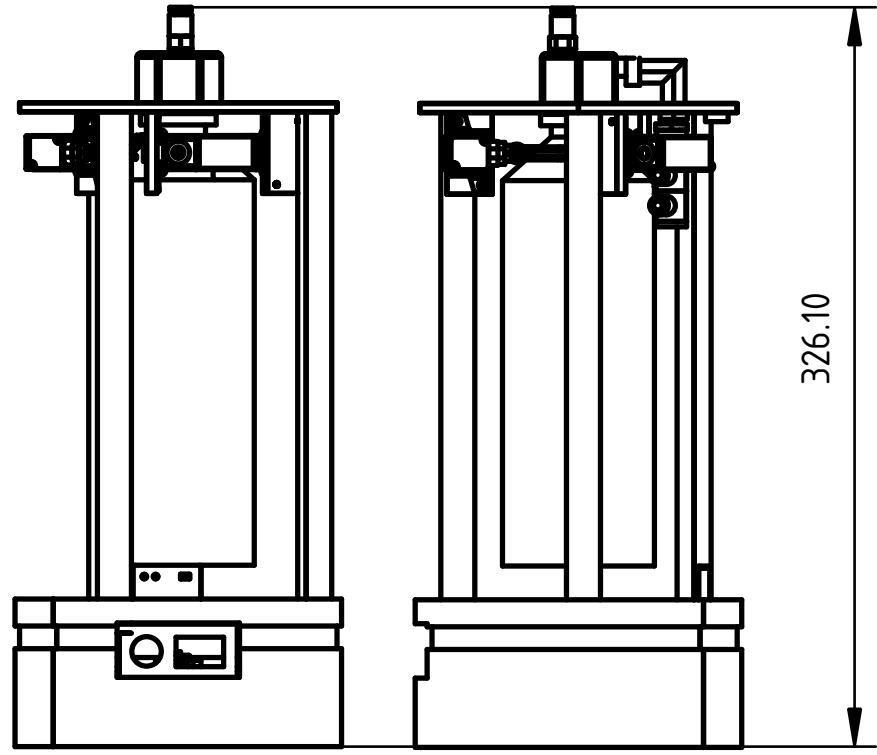
A



上面図



外観図



正面図

側面図

326.10

DESIGNED BY: <b>Cosmo Craft</b>		<b>機体三面図</b>		G	-
DATE: <b>2020.09.08</b>		<b>Space Probe Contest 2020</b>		F	-
SIZE: <b>A4</b>				E	-
				D	-
SCALE: <b>1/3</b>		WEIGHT (kg): -		C	-
		DRAWING NUMBER: -		B	-
		SHEET: <b>1</b>		A	-
This drawing is our property; it can't be reproduced or communicated without our written consent.					

F

E

D

4

3

2

1

4

3

2

1